



# 158 POLY

## ZHONGXING SOLAR

### 80W POLY



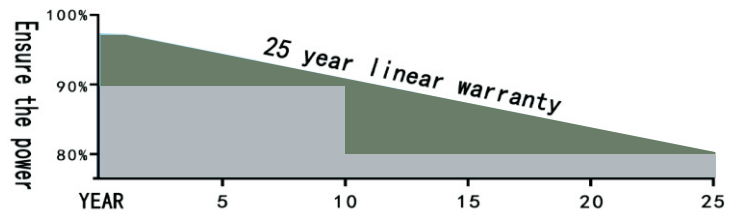
#### Characteristics

- High efficiency solar cell to keep the modules efficiency reach to 15.51%.
- Positive tolerance to ensure higher output.
- Excellent performance under weak light conditions.
- Modules withstand extremely (temperature, load and impact) TUV certification.
- All modules combination and packing through stepping current to keep effectively reduce mismatch loss.
- 100% EL test to keep higher quality.



#### Warranty

- 25 years power output warranty, 90% power output for 10years, and 80% power output for 25years.
- 10 years workmanship warranty.



#### Quality and safety

- ISO9001:2015 certified supplier
- CB
- IEC 61215, IEC 61730, IEC, CE, TUV, approved.



# ZHONGXING SOLAR

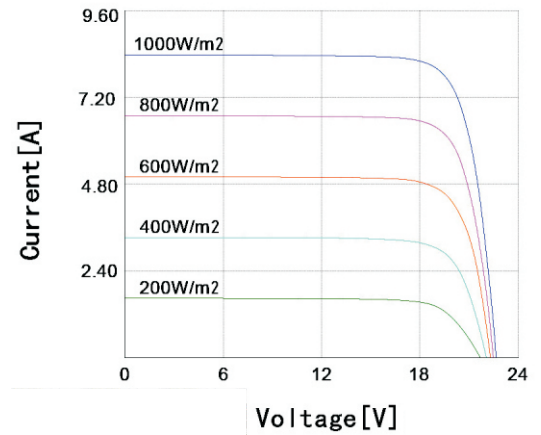
## Dimensions: 530\*1200\*35mm Power: 80W

### Electrical Characteristics

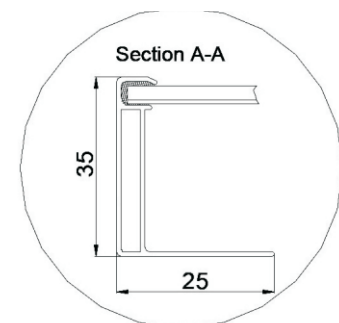
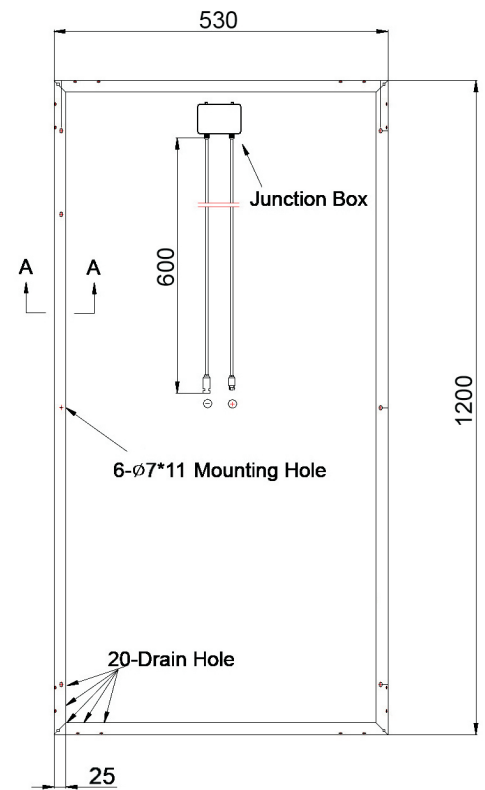
Model No.	ZX80-36
Maximum Power (Pmax)	80W
Max-power Voltage (Vmp)	18V
Max-power Current (Imp)	4.45A
Open-circuit Voltage (Voc)	21.6V
Short-circuit Current (Isc)	4.8A
Module Efficiency	15.51%
Operating Temperature	-40°C~+85°C
Maximum System Voltage	1000Vdc
Maximum Series Fuse Rating	15A
Power Tolerance	± 3%

\*STC condition: 1000 W/m<sup>2</sup>, 1.5AM and 25°C cell temperature.

### I-V Curve



### Dimensions



### Temperature Characteristics

NMOT	46°C ± 2°C
Temperature Co-efficient of Pmax	-0.398%/°C
Temperature Co-efficient of Voc	-0.340%/°C
Temperature Co-efficient of Isc	0.0576%/°C

### Mechanical Characteristics

Power	80W
Cell Type	158.75*158.75mm
Cell Arrangement	36(3*12)
Dimensions	530*1200*35mm
Weight	8.4kg
Front Cover	3.2mm tempered glass
Frame Material	Anodized aluminium alloy
Junction Box	IP67 rated
Output Cables	2.5mm <sup>2</sup> , Length 600mm+MC4

### Packing

Packing	20'GP	40'HC
Pieces/Pallet	35	35
Pieces/container	602	1575